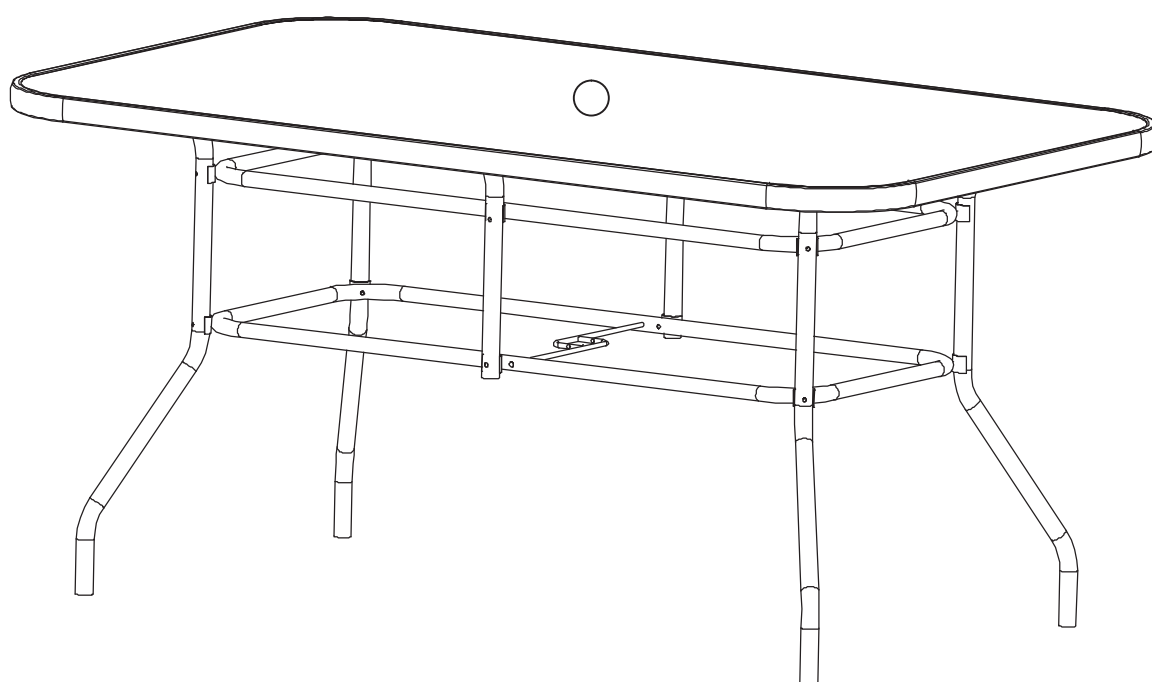


LIVING & CO[®]

STEEL TAHITI TABLE



INSTRUCTION MANUAL

Maximum Weight Limit :50kgs

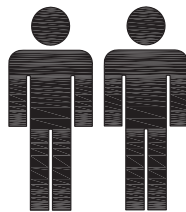
Important Safety Instructions

- The glass used in this outdoor table is tempered glass. Although up to four times tougher than normal glass it is not unbreakable.
- Careless handling or use sometimes produces damage which may not be immediately visible to the naked eye. Avoid dropping objects on the glass, which may weaken it. Damaged glass may spontaneously shatter if later subject to thermal or mechanical stress.
- When using this table with an umbrella we recommend an umbrella base be used (if applicable). Tables should not be dragged at any time to avoid damage to legs and glass breakage.
- Semi-tighten each bolt during assembly.
- Ensure all bolts are tightened when fully assembled.
- Always place the product on a flat, steady and stable surface.

Assembly Details

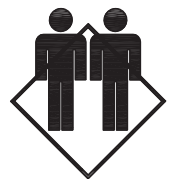
20 MIN

Approximate Assembly Time



2 Persons of Assembly

FLOOR AREA
2.0M x 1.5M



Required Assembly Space

Tips before you start


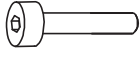





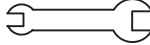

1. Please check that all parts are present before you start the assembly of your furniture.
2. For ease and speed of assembly, we recommend that before you commence each step of the assembly, that you identify all the parts required for that step.
3. For larger items, please ensure that you have sufficient space and people (as indicated on page 1) to assemble your product safely.
4. We recommend that, where possible, all items are assembled near to the area in which they will be placed in use, to avoid moving the product unnecessarily once assembled.
5. For the protection of your furniture, we recommend that the product is placed on a protected surface during assembly to prevent any damage.
6. During assembly please take care not to over-tighten any fittings, as this may damage the product. Do not use power tools.
7. Always place the product on a flat, steady and stable surface.
8. Do not stand on the product. Do not use the product as a stepladder.
9. This product is intended household use only as it is a non-industrial product.
10. Please use caution and care when lifting the product to avoid personal injury and/or product damage.

Care and maintenance

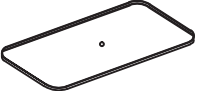
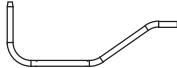

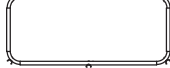
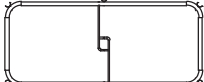
- ✓ When left exposed to the elements for a period of time, steel may rust and fabric may fade.
- ✓ To prolong the life of your furniture, clean and dry frame regularly.
- ✓ Use car polish or similar product for extra protection of metal components. Use spray lubricant or similar on nuts and bolts.
- ✓ We recommend storing furniture under cover, out of direct sunlight and using furniture covers when not in use and for protection during the winter months.

Part Name

HARDWARE LIST

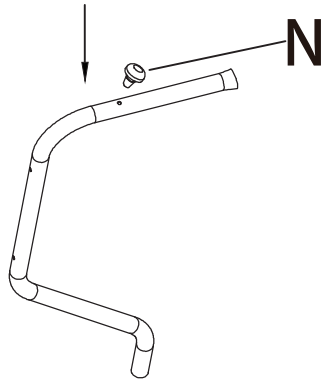
FX12 	GX12 	HX12 	IX12 	JX12 
KX2 	LX1 	MX1 	NX4 	

PARTS LIST

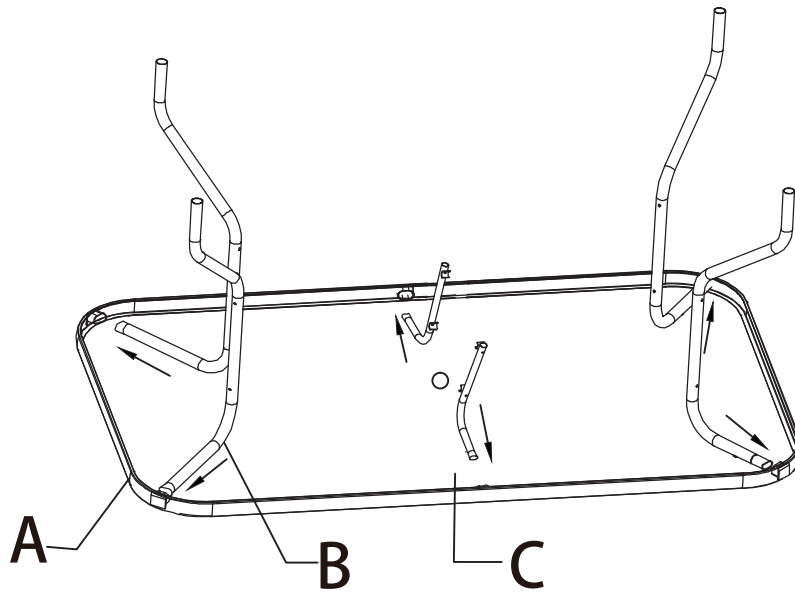
AX1 	BX4 	CX2 	DX1 	EX1 
--	--	--	---	--

Assembly

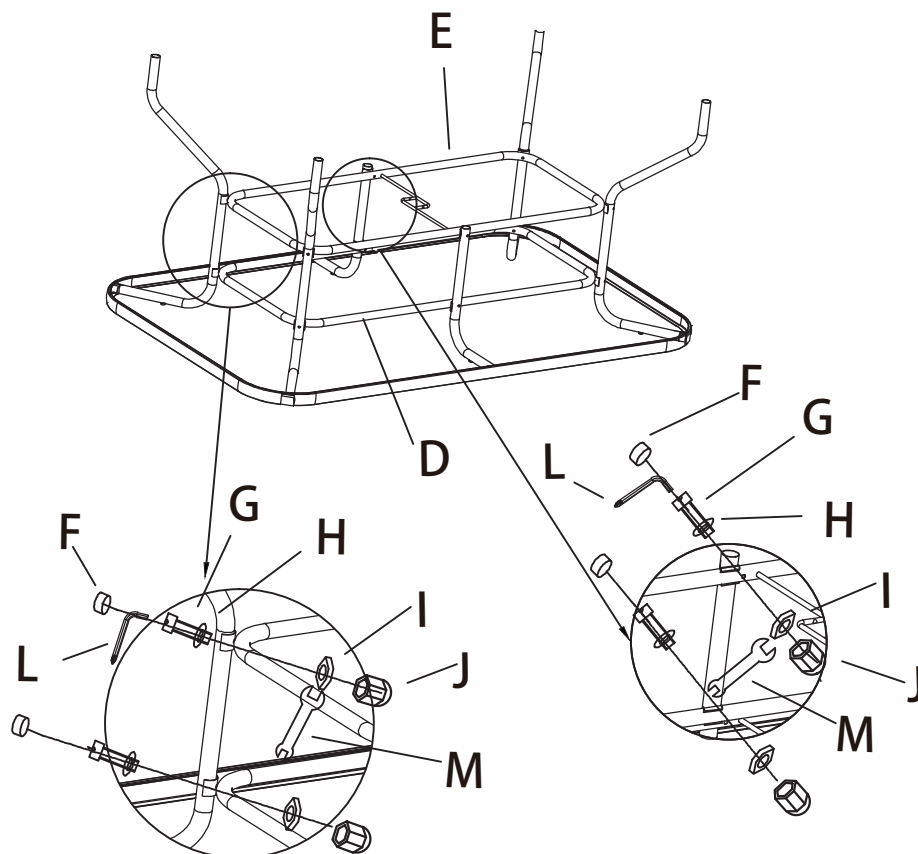
STEP 1



STEP 2

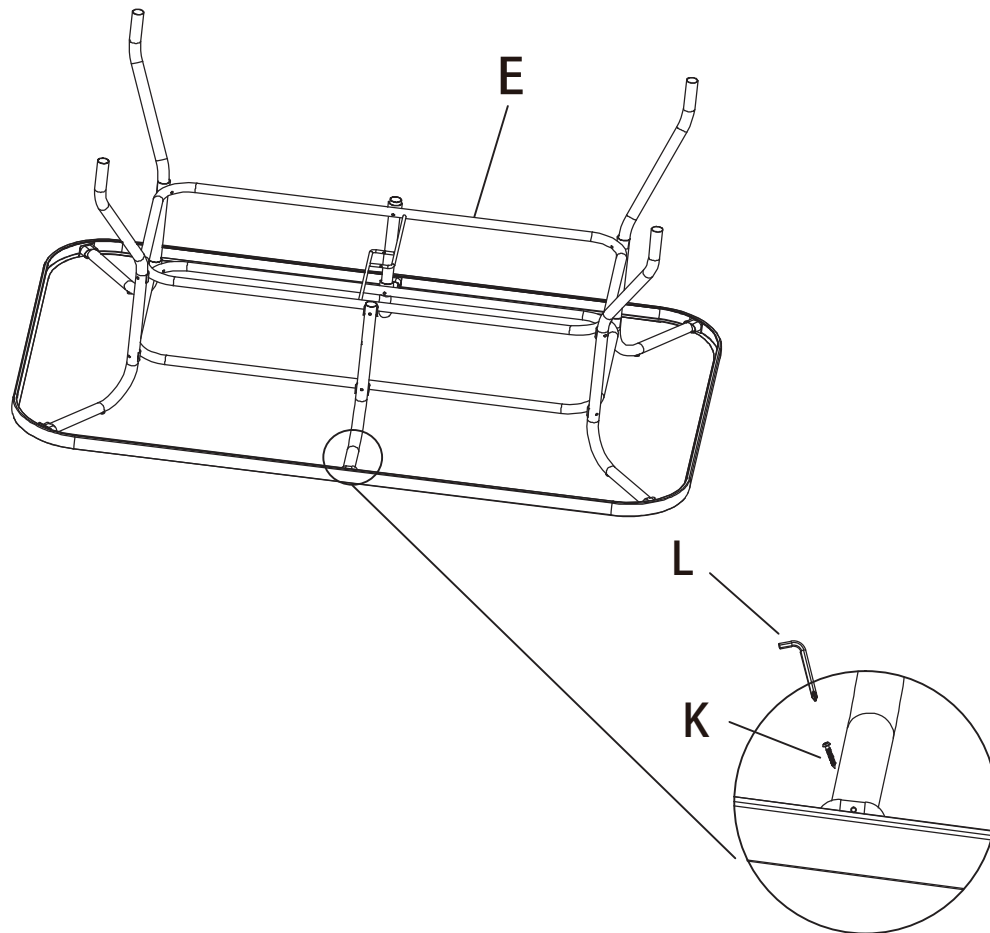


STEP 3

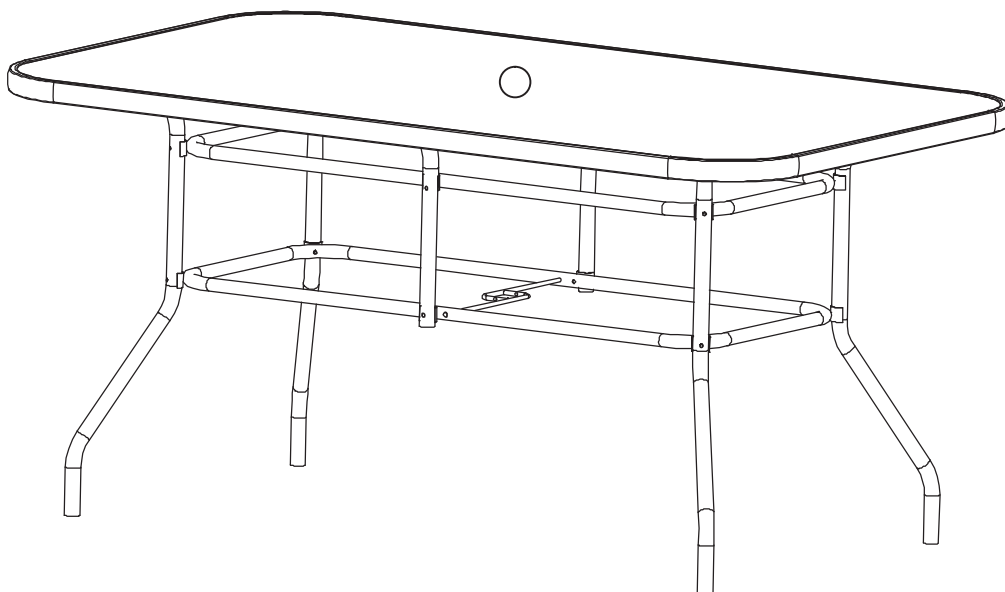


Assembly

STEP 4



STEP 5





LIVING & CO[®]

Warranty

We pride ourselves on producing a range of quality products that are both packed with features and completely reliable. We are so confident in our products, we back them up with one year warranty.

Now you too can relax knowing that you are covered.

Customer Helpline NZ: 0800 422 274
This product is covered by one year warranty
when accompanied by proof of purchase.